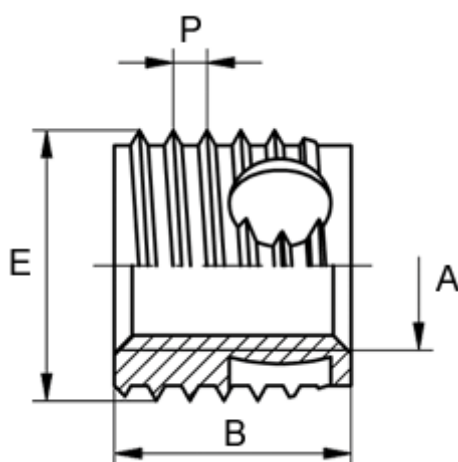


Data Sheet



Article number: 12338000140500
Description: KLEE-coil 338 000 140.500
M14 St. steel 1.4305

Measures



Female thread A	= M14
Length B	= 24
Male thread E	= 18.0
Min hole depth blind hole	= 28
Thread pitch P	= 2.00
Type	= 338 000 140 ...